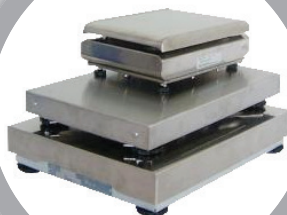


DPS-800s

manual
weigh price
labelling system



Industrial PC based system offering flexible integration with bi-directional communications



A choice of scale platforms in different capacities. Compatible with 3rd parties.



Optional printers available offering varied label types. (LP-800 pictured).

*Actual product may differ from image shown

Digi - a leading company in PC Based weigh priced labelling systems

The Digi DPS-800s is a new generation of manual weigh-price-labelling systems, utilising Windows® embedded software.

Using the very latest technology available, the architectural design of the system provides full integration with existing Digi systems, bi-directional communications in XML format that will provide back office server data collection as well as online programming and monitoring. Colour touch screen for easy and quick programming and PLU selection.

The DPS-800s unit is a versatile, entry level, manual weigh-price-labeller which can be utilised in wide variety of applications and settings.

Machine Options*



The diversity of the DPS-800s allows it to be integrated into almost all environmental settings within the food production industry, from existing large scale processing plants to new small businesses. The choice of labellers, scale platforms, stands and brackets ensures that the DPS-800s will suit the majority of modern day production lines.

As a weigh-price-labeller, the DPS-800s can be used in catchweight, fixed weight and average weight modes and can also be utilised when selling product direct to the public.

The DPS-800s can also be installed as a manual check-weigher or labelling unit or even as a simple monitoring terminal for data collection.

The unit includes 1 USB port, 1 Ethernet printer port and 1 Ethernet LAN port as standard with two additional ports available.



Additional Options*

This manual weigh-price-labeller offers a range of options:

- A choice of labellers, including the Digi LP-800 and Intermec PM43 (as shown).
- An Ethernet hub is available to allow for multiple labellers to one terminal.
- Compatibility with 3rd party platform scales, pit scales, overhead tracks and other hardware components.
- Additional outputs available including an extra USB port and RS232 output.
- Simple integration into existing lines and settings.

Standard Specifications

Power:	100-240V AC 50-60Hz
Capacity:	6kg/2g 10kg/5g 30kg/10g (compatible with all OIML certified loadcells)
Pack Size:	Dependant on scale platform
Screen:	12.1 colour high brightness TFT LCD
Touch panel:	sealed resistive touch screen
Environment:	-10°C to +40°C

Optional Printers

LP-800

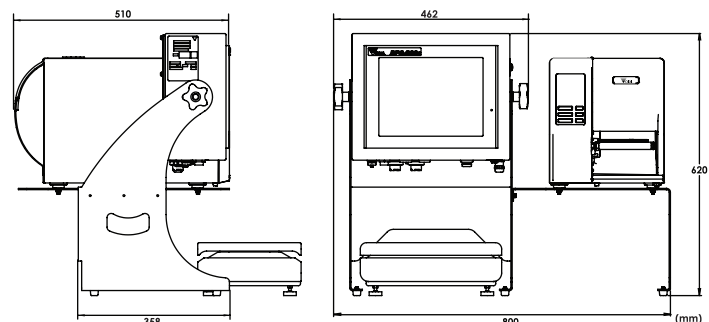


Intermec PM43



Power	115-230VAC 50-60Hz	100-240VAC 45-65Hz
Printhead	108mm @ 300dpi	108mm @ 300dpi
Speed (max)	203mm/sec	300mm/sec
Label Size	W12mm – 114mm H28mm – 1854mm	W19mm – 114mm H28mm – 1854mm
Label Roll (max)	208.3mm diameter	213mm diameter
Label Core	25.4mm – 76.2mm	38mm – 76mm
Ribbon (max)	90mm diameter	80mm diameter
Environment (operational)	5°C to 40°C	5°C to 40°C

Drawing shows standard LP-800 printer option with stand



*Custom options available, please contact sales@digi.co.uk

Document subject to change without notice (E.&O.E) ERRORS AND OMISSIONS EXCLUDED.